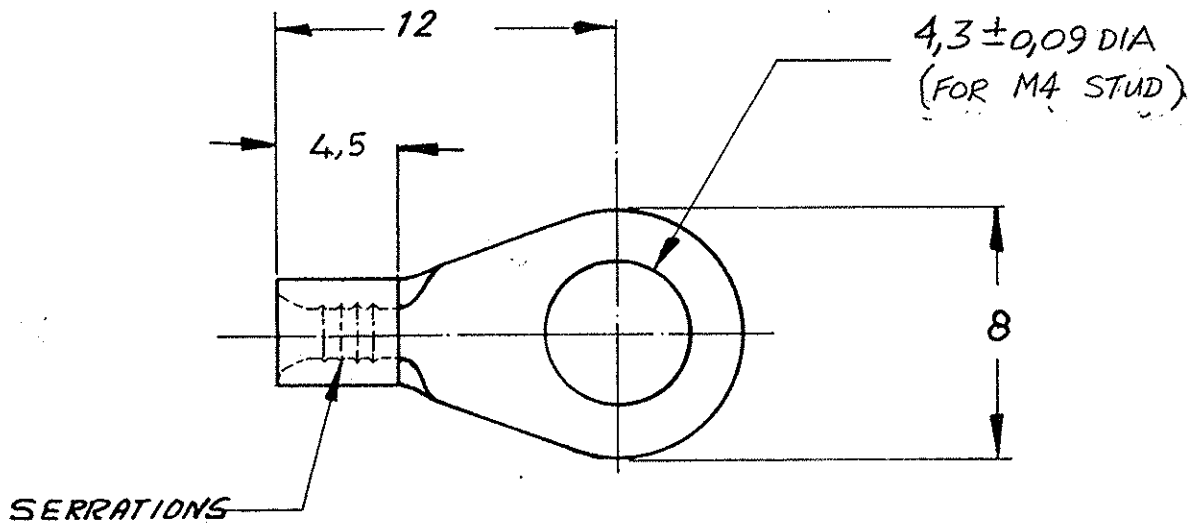


NUMBER C-165297-E



DIMENSIONS IN M.M. DO NOT SCALE PRINT

CUSTOMER COPY FOR REFERENCE ONLY

©1967 BY AMP-HOLLAND N.V. ALL RIGHTS RESERVED A-MP PRODUCTS COVERED BY PATENTS AND/OR PATENTS PENDING.



AMP-HOLLAND N.V.
's-HERTOGENBOSCH
HOLLAND

165297	COPPER	TINPLATED
ORDER NO.	MATERIAL	PLATING
DR R. DHONDT. 23/16-67	DF 16.2.7. Jansen 25/12/67	DATE
CHK	DATE	APP 17-67

WIRE-RANGE 15-25 mm ²	INSUL.-RANGE —H—	TYPE - DIN - SOLISTRAND
SCALE —H—	LOC H	SIZE A
NO C-165297-E		REV D1
NAME RINGTONGUE stud: M4		